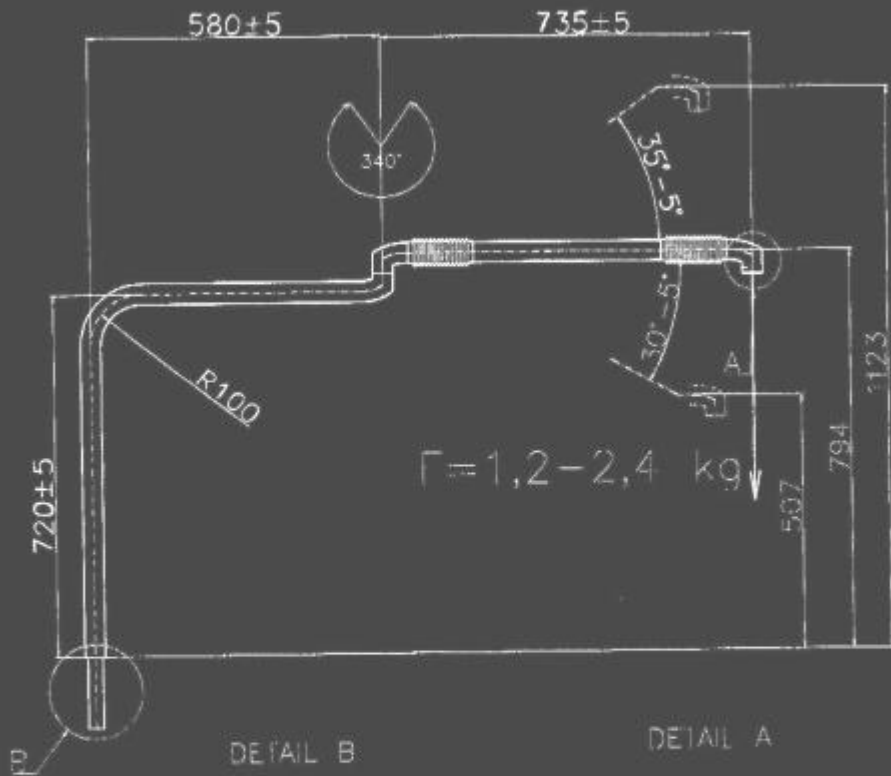
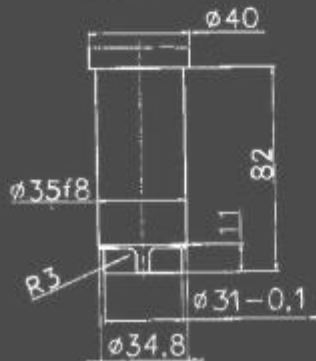


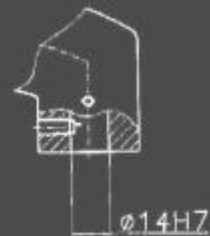
103 DENTARM LHV



DETAIL B



DETAIL A



6.5.2004